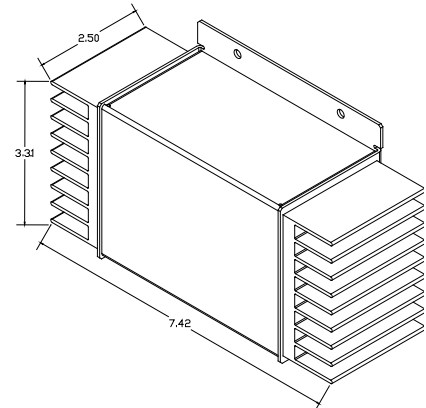


## TR51



### APPLICATIONS

Two channel 120 VAC incandescent dimmer with full-function DALI interface. Use for conference rooms, retail, restaurants or by itself or combined with other DALI controls. Mounts on a standard 4-11/16" electrical box located in electrical closet or ceiling adjacent to lighting. Interfaces with standard DALI dimmers, scene, on/off, and other controls. The two channels are independent, with unique DALI addresses and settings.

Compatible with magnetic low voltage transformers and electronic transformers that accept trailing edge wave forms. Dimming curve conforms to the DALI exponential curve. Interfaces with standard DALI user controls and may be controlled in conjunction with fluorescent lamps.

### FEATURES AND BENEFITS

- Supports applicable DALI functions including addressing, groups, scenes, fade, and query.
- Independent channels with separate DALI address and functions
- Compatible with standard DALI controls including dimmers, on/off, and scene controls
- Mounts on standard 4-11/16" electrical box
- 600 watts per channel
- Compatible with DALI dimmers, on/off, and scene controls
- LED indicator lights for power, DALI messaging, and fuse fail

### SPECIFICATIONS

#### Electrical – Power

- Input Power: 120v
- Internal fuses: 6 amp slow blow each channel
- Replacement fuse: Starfield FSB6
- Power dissipation : 5 watts per channel max

#### Electrical – Low-voltage

- Input voltage – 12-22.5 VDC
- Input current – 2mA
- Class 1 or Class 2 DALI network wiring
- Compliant with IEC international DALI standard 60929

#### Physical

- Nominal Size: 7.4" wide, 3.3" high, 2.5" deep
- 5mm screw clamp terminals are rated for use with 18 AWG solid or 18-14 AWG stranded copper wire.
- Caution – Use of larger gauge solid wire may damage terminals and make installation difficult.
- Material: 18gauge steel with 16ga base
- Finish: black zinc plating with textured black metal powder coat finish

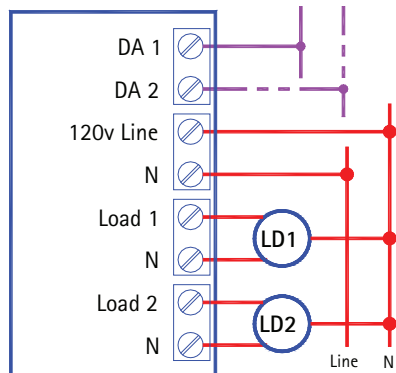
#### Environmental

- Operating temperature range: 0 to 40°C
- Storage temperature range: -10 to +50°C
- Relative humidity: 20-90% non-condensing

#### Factory Presets

- Power Failure Reset – 254 (full bright)
- System Power Failure – 254 (full bright)
- Scene Settings – mask
- Groups – mask

**Warranty:** Limited 2-year warranty



TR51 Terminations