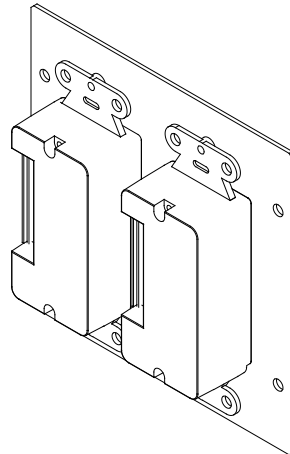


## TR40 TR45



One or two **TR40/45** controls may be mounted in a standard switch box or 4-11/16" electrical box using the **MPX2** mounting plate shown above.

### APPLICATIONS

The **TR40/45** is a family of compact addressable relay controllers designed to simplify installation by mounting adjacent or inside motor and lighting loads. Typical applications include controlling AV equipment, curtains, and motorized screens in conference rooms, homes, schools, and hospitals. Both controls

may be used with computer control or in conjunction with the **TR25** and **TR30** to create comprehensive integrated control systems with scenes and remote control.

### FEATURES AND BENEFITS

- Industry standard Decora form factor.
- Low 2mA DALI power draw allows up to 64 controllers per DALI communication bus network.
- Locally mounted relays simplify wiring, eliminate central control panels, and provide flexible soft zoning.
- Applicable for stand-alone or networked operation.
- Mounts in a standard NEMA switch or outlet box.
- Polarity-independent, free-topology, DALI network wiring is suitable to run as either Class 1 or 2.
- Supports the full DALI code set of 16 groups and 16 scene settings.
- Compatible with standard DALI ballast configuration software.
- LED indicator and locator light.
- May be used in conjunction with **TR30** on/off controls for remote and group control.

### SPECIFICATIONS

#### Low-voltage Electrical

- **TR40** relays open after a 5-minute delay. Normal operation requires an "end-of-travel" limit switch.
- See function table for load ratings.
- DALI input voltage 12-22.5 VDC
- DALI input current 2 mA
- Suitable for use with Class 1 *and* 2 DALI network wiring.
- Supports applicable DALI commands including addressing, group assignments, and scene settings.

#### Physical

- NEMA Decora form factor
- 5mm screw clamp terminals are rated for use with 18 AWG solid or 18-14 AWG stranded copper wire.
- Caution – Use of larger gauge solid wire may damage terminals and make installation difficult.
- Housing material: 94V5 high impact, flame retardant plastic
- Colors: NEMA WD1
- Mounts on **MPX2** mounting plate inside standard NEMA 4-11/16" deep electrical box.

#### Environmental

- Operating temperature range: 0 to +40°C
- Storage temperature range: -10 to +85°C
- Relative humidity: 20-90% non-condensing

**Warranty:** Limited 2-year warranty

## FUNCTION TABLE

Model	Description	Electrical Load	Manual Buttons		DAP Commands		Scene Value Commands				
			1	2	0	254	1	2	3	4	10
TR40	Curtain/Screen	120v, 1.5A inductive	(up)(stop)	(dw)(stop)	(dw)(stop)	(up)(stop)	stop	up	dw	mask	mask
TR45	Lights	120v, 10A resistive	(on)	(off)	(off)	(on)	off	NA	NA	on	mask

## OPERATION

**Button 1** – The button closest to the green LED indicator light.

**Momentary** – Indicated by ( ). Quickly press and release.

**Mask** – No action.

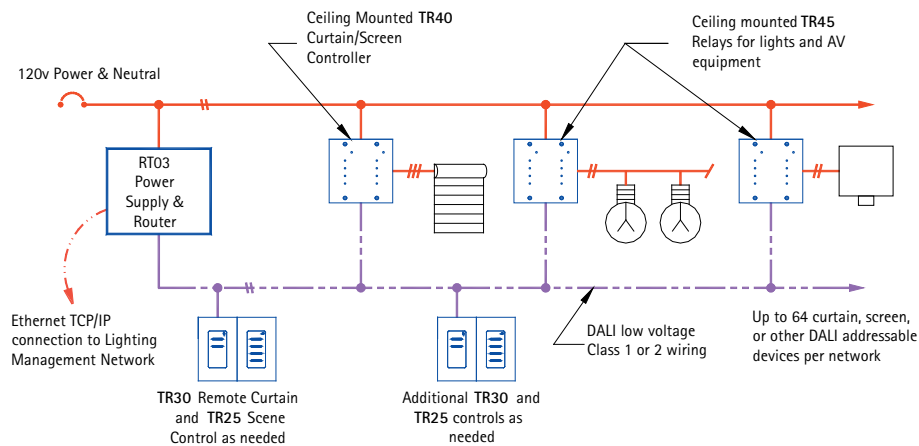
**DAP Commands** – Direct Arc Power command values sent by TR30 or computer controls

**Scene Value Commands** – Scene values may be used with any of the 16 DALI scenes and are enabled with the TR25 or DALInet™ Lighting

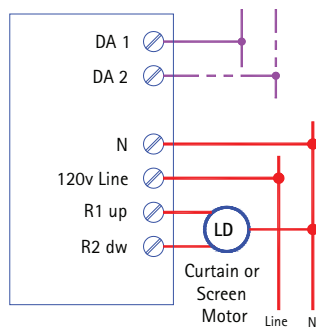
Management Software.

### Notes:

- TR40/45 relays are compatible with Starfield TR25 scene controls, TR30 3-in-1 remote controls and DALInet™ Lighting Management Software.
  - Single group assignment may be made locally with controller.
- configuration buttons. Multiple group assignments may be made with DALInet™ Lighting Management Software.



**SYSTEM WIRING DIAGRAM** – TR40 and 45 addressable relay controllers may be installed adjacent to curtains and screen motors to eliminate home-run wiring and central control panels.



**TR40 Wire Terminations**

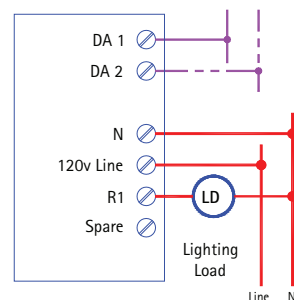
## ORDERING

TR40

Model

TR40 (Curtain/Screen)

TR45 (Lighting and Small Equipment)



**TR45 Terminations**

Wiring Legend

- Lighting Power
- - - Low Voltage Class 2
- - - DALI Class 1 or 2