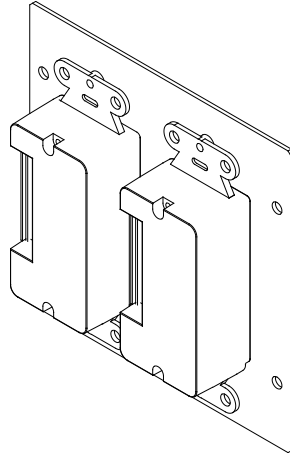


TR33



One or two TR33 controls may be mounted in a standard switch box or 4-11/16" electrical box using the MPX2 mounting plate shown above.



APPLICATIONS

TR33 Gateways accept standard digital and analog inputs and output DALI commands using standard and custom programming. These are Class 2 devices designed for wall or plenum mounting and field configuration via front-accessible buttons.

Inputs can be as varied as a simple push button or time clock, wet or dry

contact closures, card readers, or an analog output from another building control system or PLC. Four manual buttons and an LED indicator allow group assignment, program selection, configuration, and testing.

Compatible with other Starfield controls, occupancy sensors, photo dimmers, and photo diode sensors.

FEATURES AND BENEFITS

- Assignable to broadcast (default) or any one of the 16 DALI groups from the front of the control without special tools or equipment.
- Addressed or stand alone
- Industry standard Decora form factor may be ganged with other controls.
- Eliminates central control panels and hardwired zoning.
- Mounts in a standard NEMA switch or outlet box.
- DALI network wiring is polarity-independent, free-topology, low-voltage, and low-power. May be run as Class 1 or 2 wiring inside or outside of the lighting power conduit where allowed by local jurisdictions.
- Green LED indicator light.
- Starfield direct connect occupancy sensors with multiple logic options do not require an external power supply and uses dimming to provide gentle, user-friendly operation.

SPECIFICATIONS

Low-voltage Electrical

- UL Listed Class 2 device for use with Class 1 or Class 2 DALI bus wiring.
- Caution – this Class 2 device may not be installed in same electrical box with electrical power wires.
- DALI Input voltage – 12-22.5 VDC
- DALI Input current – 6mA + sensor power

Input Ports

- DI – optically isolated, 10k Ω , 5-24VDC
- DO – optically isolated, 5-24VDC, 30mA max switching
- AI – 10k Ω pull-up to 10volts, 1mA
- Available Sensor Power: 10VDC, 30mA max

Physical

- NEMA Decora form factor
- 5mm screw clamp terminals are rated for use with 18 AWG solid or 18-14 AWG stranded copper wire.
- Caution – Use of larger gauge solid wire may damage terminals and make installation difficult.
- Housing material: 94V5 high impact, flame retardant plastic
- Colors: NEMA WD1

Environmental

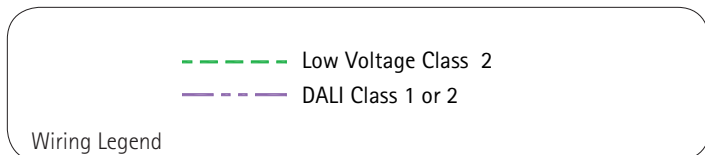
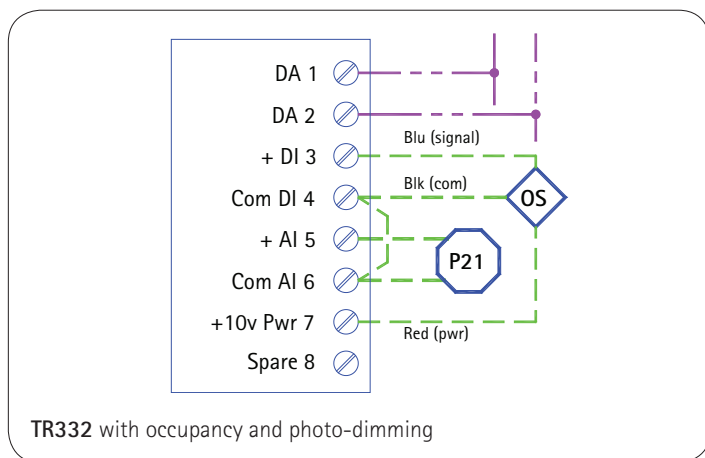
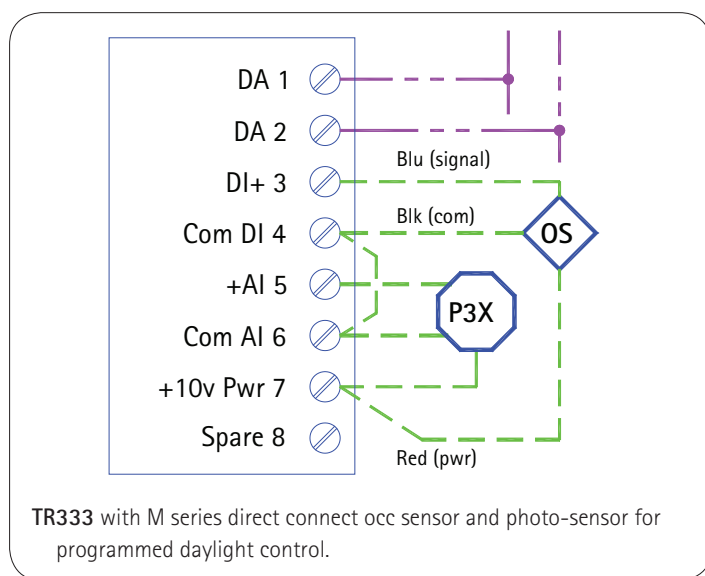
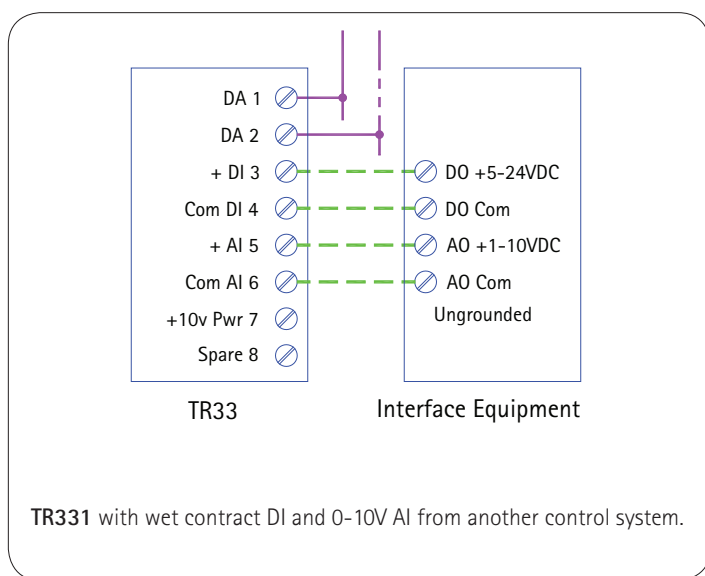
- Operating temperature range: 0 to +40°C
- Storage temperature range: -10 to +85°C
- Relative humidity: 20-90% non-condensing

Factory Presets

- Group assignment = Broadcast

FUNCTION TABLE

Model	Description	Inputs	Outputs	Comments
TR331	DI/AI Scene Gateway	<ul style="list-style-type: none"> Wet or Dry Contacts 0-10v analog input 	<ul style="list-style-type: none"> DALI scene 0-15 	<ul style="list-style-type: none"> DI is mapped to a single scene. AI scene output is determined by input voltage.
TR332	Occupancy & Photo dimmer Daylight Controller	<ul style="list-style-type: none"> M series occupancy sensor P21 photo dimmer 	<ul style="list-style-type: none"> DALI dimming and on/off commands 	<ul style="list-style-type: none"> Photo-dimming may be used stand-alone or with TR30 on/off controls only. Not compatible with manual dimming controls.
TR333	Addressable Occupancy & Photo sensor Daylight Controller	<ul style="list-style-type: none"> M series occ sensor P3x photo sensors 	<ul style="list-style-type: none"> DALI dimming and on/off commands 	<ul style="list-style-type: none"> Remote monitoring and setpoint adjustment provided thru DALI network. Photo-dimming may be used stand-alone and with the TR30 on/off controls only. Not compatible with manual dimming controls.



ORDERING

TR331 – W

Color

- BLank – no button caps (std)
- White
- Ivory
- Gray
- Black
- BW – blk on wht

Model

- TR331 (DI/AI Scene Gateway)
- TR332 (Occ and P2 Controller)
- TR333 (Occ and P3 Controller)
- TR33x (Custom program)