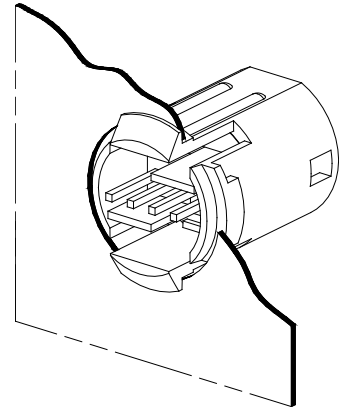
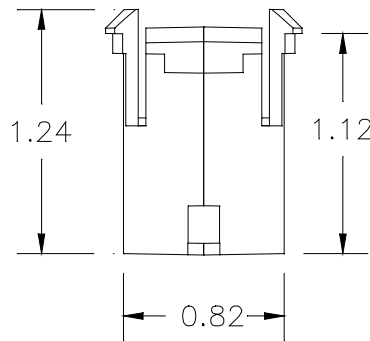


NC24



APPLICATIONS

The **NC24** is specifically designed for 0-10 volt and DALI retrofit applications where Class 2 control cable must be daisy-chained between fixtures. It snaps a 1/2" knockout in the backside of a fixture to provide a sturdy bulkhead connector

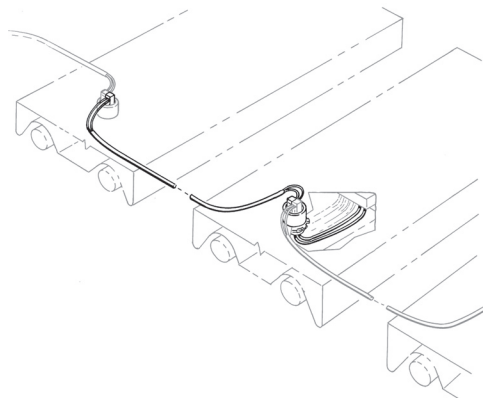
for plug-in jumpers. Speed installation, reduce errors, and allow plug-in jumper to rapidly disconnect for expansion and troubleshooting. Compatible with **J2** jumpers or field-run cable with .156" IDC connectors.

FEATURES AND BENEFITS

- Snaps into a NEMA standard 1/2" knockout
- Class 2 low-voltage wiring
- Installs from inside of fixture during ballasts installation
- Provides a sturdy bulkhead connection for plug-in jumpers
- Speeds installation and reduces callbacks
- Allows jumpers to be quickly disconnected as necessary for expansion or troubleshooting
- Low exterior profile

ORDERING

NC24 – Snap-in Network Connector



SPECIFICATIONS

Electrical

- 4-foot 18/2 solid copper wire for direct connection to 0-10v or DALI ballast terminals
- Bulkhead Thickness Range: 20-24 gauge
- .156" IDC, .045" locking square pin
- Material: 94V5 high impact, flame retardant plastic
- Wiring: 18AWG stranded or 22AWG stranded or solid copper. Shielding and twisted pair cable is not required. See Starfield Wiring Recommendations in this catalog for additional detail.

Environmental

- Operating temperature range: 0 to +55°C
 - Storage temperature range: -10 to +85°C
 - Relative humidity: 20-90% non-condensing
- Warranty:** Limited 2-year against factory defects

Installation Notes

- The **NC24** snaps into a standard NEMA 1/2" knockout from inside the fixture.
- Follow local building code requirements for low voltage Class 2 wiring systems.
- Run cabling at joist level, above ductwork and piping, supporting every 4-6 feet.
- Do not attach cable directly to running thread or other sharp surfaces.
- Pendant-mounted fixtures are best connected with field-run wiring.